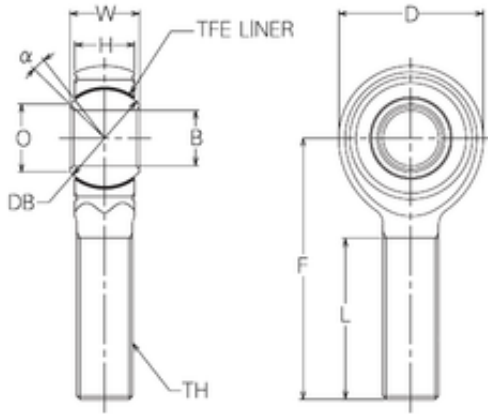




IJK BEARING COMPANY

30 mm x 78 mm x 30 mm NMB HRT30E plain bearings



Bearing No. HRT30E

Bore Diameter	30 mm
Width	30 mm
d	30 mm
Db	54,77 mm
O	40,4 mm
B	30 mm
D	78 mm
F	120 mm
H	26,3 mm
L	65 mm
W	37 mm
Angle	14 °
Thread (TH)	M30 x 2,0

HRT30E Bearing 2D drawings and 3D CAD models