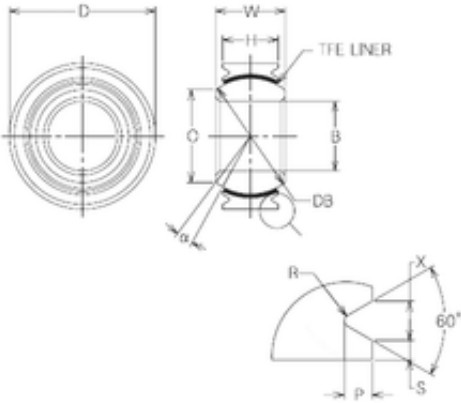




# IJK BEARING COMPANY

28 mm x 50 mm x 28 mm NMB MBT28V plain bearings

Bearing No. MBT28V



MBT28V Bearing 2D drawings and 3D CAD models

Size	28x50x28 mm
Bore Diameter	28 mm
Outer Diameter	50 mm
Width	28 mm
d	28 mm
D	50 mm
B	28 mm
C	22 mm
P	1,5 mm
Db	44,053 mm
X	2 mm
O	34 mm
B	28 mm
D	50 mm
H	22 mm
R	0,5 mm
S	0,7 mm
W	28 mm
Angle	9 °
Weight	0,255 Kg
Basic dynamic load rating (C)	176,51 kN
Static load rating radial (C0)	393,24 kN