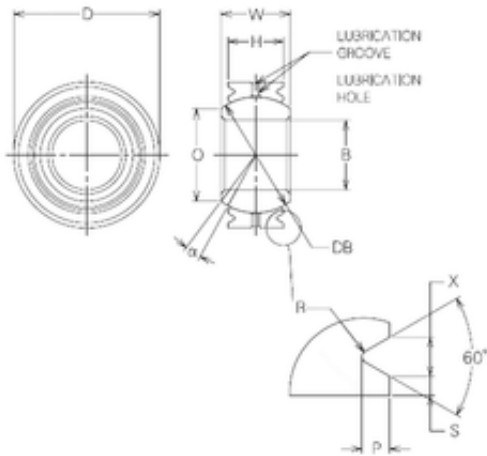




IJK BEARING COMPANY

30 mm x 56 mm x 30 mm NMB MBG30VCR plain bearings



Bearing No. MBG30VCR

Size	30x56x30 mm
Bore Diameter	30 mm
Outer Diameter	56 mm
Width	30 mm
d	30 mm
D	56 mm
B	30 mm
C	23 mm
P	1,5 mm
Db	47,625 mm
X	2 mm
O	37 mm
B	30 mm
D	56 mm
H	23 mm
R	0,5 mm
S	0,7 mm
W	30 mm
Angle	10 °
Weight	0,35 Kg
Static load rating radial (C0)	500,13 kN

MBG30VCR Bearing 2D drawings and 3D CAD models