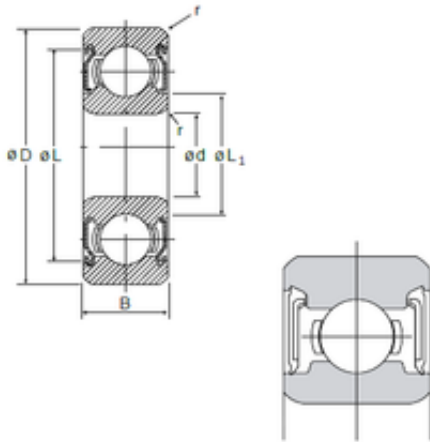




IJK BEARING COMPANY



8 mm x 22 mm x 7 mm NMB 608DD deep groove ball bearings

Bearing No. 608DD

Size	8x22x7 mm
Bore Diameter	8 mm
Outer Diameter	22 mm
Width	7 mm
d	8 mm
D	22 mm
B	7 mm
C	7 mm
r min.	0,3 mm
L	19,1 mm
L1	10,8 mm
Basic dynamic load rating (C)	3,297 kN

608DD Bearing 2D drawings and 3D CAD models