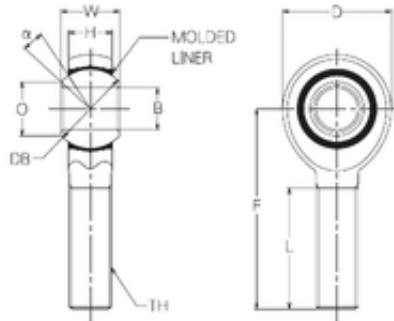




IJK BEARING COMPANY

18 mm x 42 mm x 18 mm NMB RBM18E plain bearings



Bearing No. RBM18E

Bore Diameter	18 mm
Width	18 mm
d	18 mm
Db	31,75 mm
O	21,9 mm
B	18 mm
D	42 mm
F	72 mm
H	16,5 mm
L	44 mm
W	23 mm
Angle	15 °
Thread (TH)	M18 x 1,5
Weight	0,25 Kg
Basic static load rating (C0)	13,23 kN

RBM18E Bearing 2D drawings and 3D CAD models