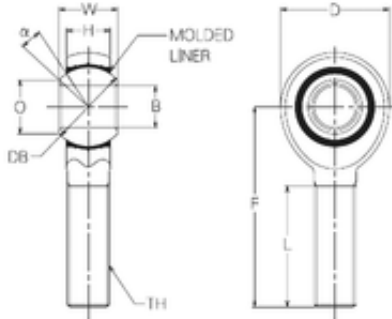




IJK BEARING COMPANY

20 mm x 46 mm x 20 mm NMB RBM20E plain bearings



Bearing No. RBM20E

Bore Diameter	20 mm
Width	20 mm
d	20 mm
Db	34,92 mm
O	24,4 mm
B	20 mm
D	46 mm
F	78 mm
H	18 mm
L	47 mm
W	25 mm
Angle	15 °
Thread (TH)	M20 x 1,5
Weight	0,31 Kg
Basic static load rating (C0)	15,39 kN

RBM20E Bearing 2D drawings and 3D CAD models