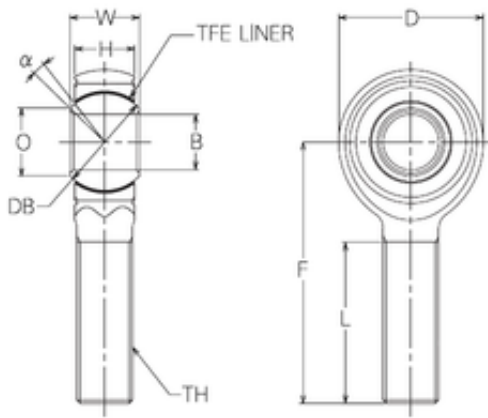




# IJK BEARING COMPANY

## 22 mm x 52 mm x 22 mm NMB HRT22E plain bearings

Bearing No. HRT22E



HRT22E Bearing 2D drawings and 3D CAD models

Bore Diameter	22 mm
Width	22 mm
d	22 mm
Db	34,92 mm
O	27,1 mm
B	22 mm
D	52 mm
F	86 mm
H	19,3 mm
L	51 mm
W	22 mm
Angle	6 °
Thread (TH)	M22 × 1,5