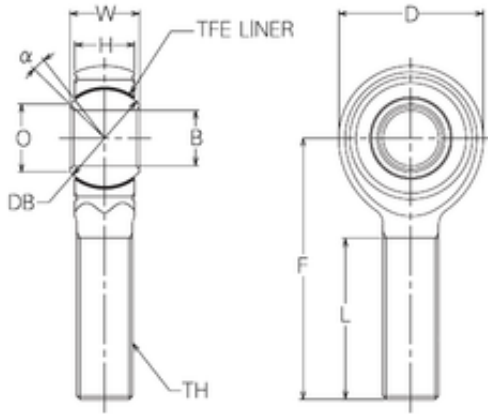




# IJK BEARING COMPANY

## 10 mm x 26 mm x 10 mm NMB HRT10E plain bearings



Bearing No. HRT10E

|               |           |
|---------------|-----------|
| Bore Diameter | 10 mm     |
| Width         | 10 mm     |
| d             | 10 mm     |
| Db            | 17,46 mm  |
| O             | 12,2 mm   |
| B             | 10 mm     |
| D             | 26 mm     |
| F             | 47 mm     |
| H             | 10,75 mm  |
| L             | 29 mm     |
| W             | 12,5 mm   |
| Angle         | 8 °       |
| Thread (TH)   | M10 x 1,5 |

HRT10E Bearing 2D drawings and 3D CAD models